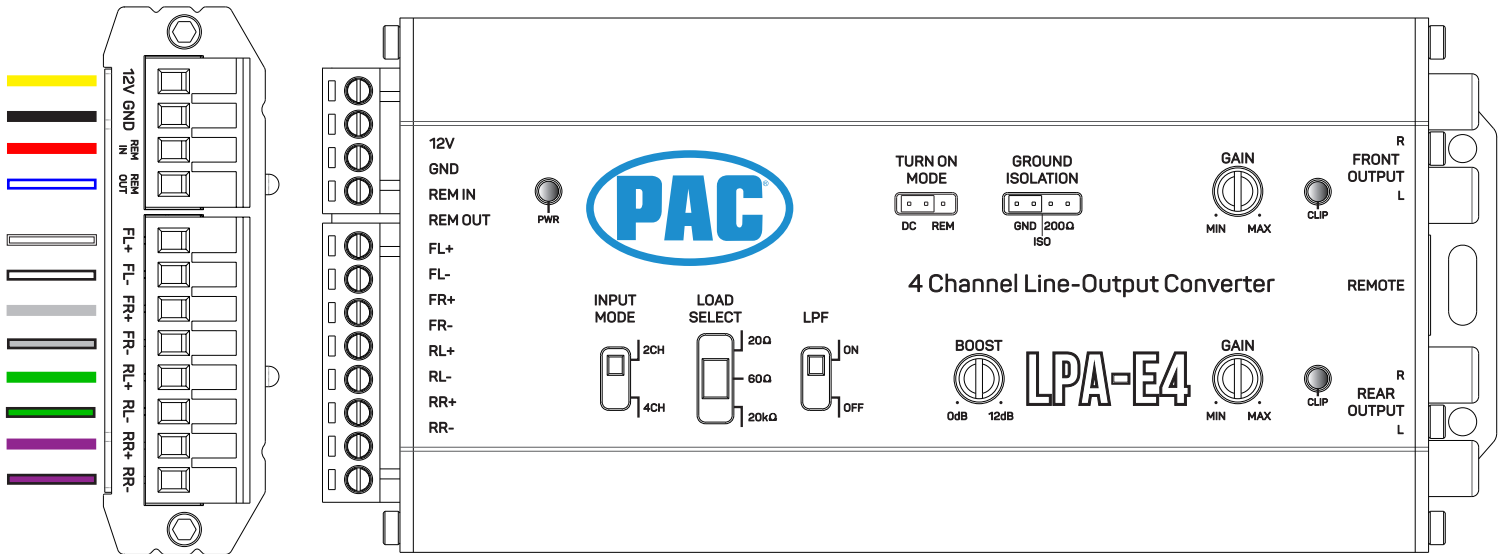


LPH Harness Instruction Guide

Wiring Connection Chart (All Models)



MODELS:

- LPA-E4
- LPA2.4 / LPA2.2
- LPA1.4 / LPA1.2

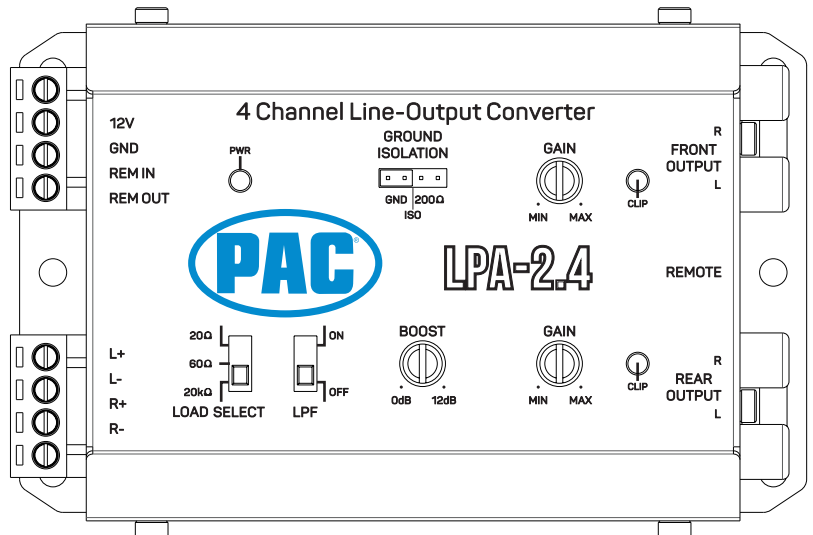
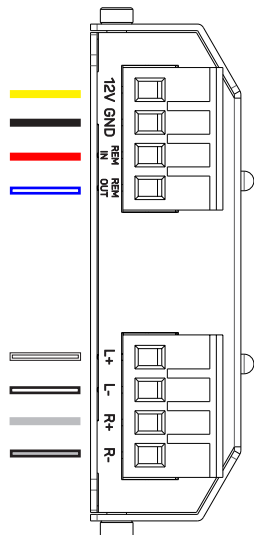
Important Note: This harness is provided with a inline fuse installed. Please remove prior to install and reinsert once finished.

If your vehicle does not provide ACC source your harness will not have a "RED" wire to connect.

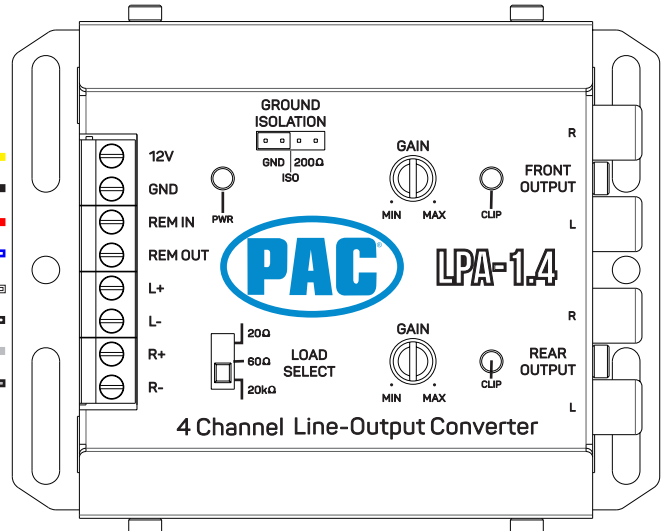
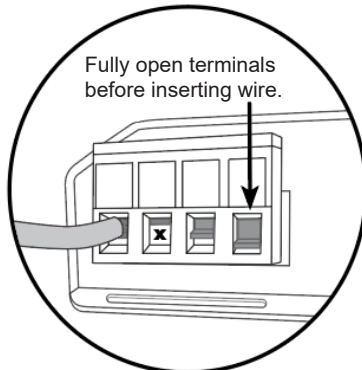
It will use DC Offset to turn on as well as trigger the "REM OUT" on the LPA. On LPA-E4 there will be a jumper that you can move based on your application.

This harness is designed to work on **OEM NON-AMPLIFIED** systems.

Connect the RED BUTT Connector to the aftermarket system turn on for your amplifiers.



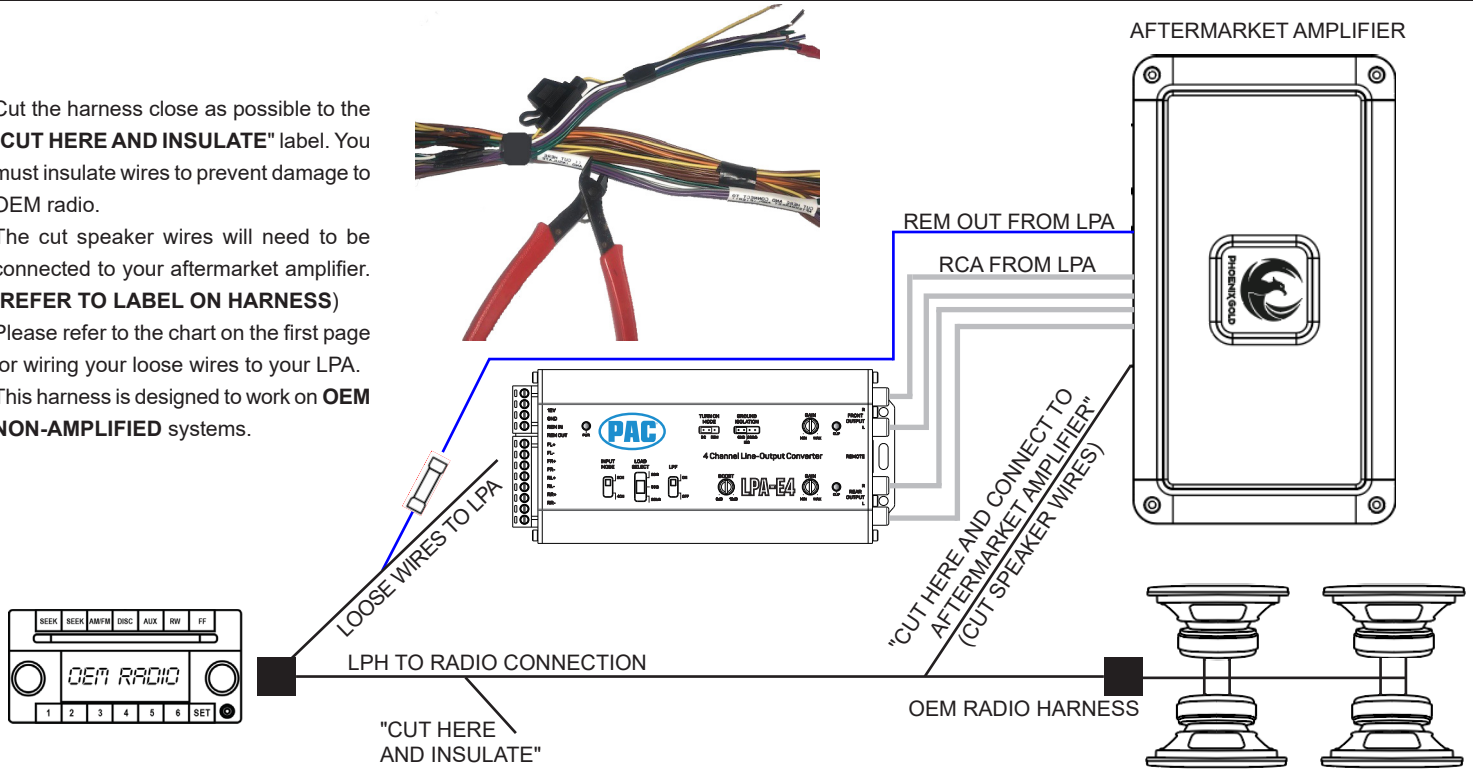
Wire Color	Function
Yellow	Constant 12V +
Black	Ground
Red	ACC / Rem Input
Blue/White	Amp Turn On +
White	Front Left +
White/Black	Front Left -
Gray	Front Right +
Gray/Black	Front Right -
Green	Rear Left +
Green/Black	Rear Left -
Purple	Rear Right +
Purple/Black	Rear Right -



LPH Harness Instruction Guide

Example Installation - 4-Channel Amplifier - (HARNESS CUT REQUIRED)

- Cut the harness close as possible to the "CUT HERE AND INSULATE" label. You must insulate wires to prevent damage to OEM radio.
- The cut speaker wires will need to be connected to your aftermarket amplifier. (REFER TO LABEL ON HARNESS)
- Please refer to the chart on the first page for wiring your loose wires to your LPA.
- This harness is designed to work on OEM NON-AMPLIFIED systems.



Example Installation - Mono Amplifier - (HARNESS CUT NOT REQUIRED)

- If using a 2-Channel input LPA use the front speaker wires and insulate the remaining front speaker wires.
- **DO NOT CUT** the speaker wires inbetween the "CUT HERE" Labels in order to keep the factory speakers functional.
- This harness is designed to work on OEM NON-AMPLIFIED systems.

